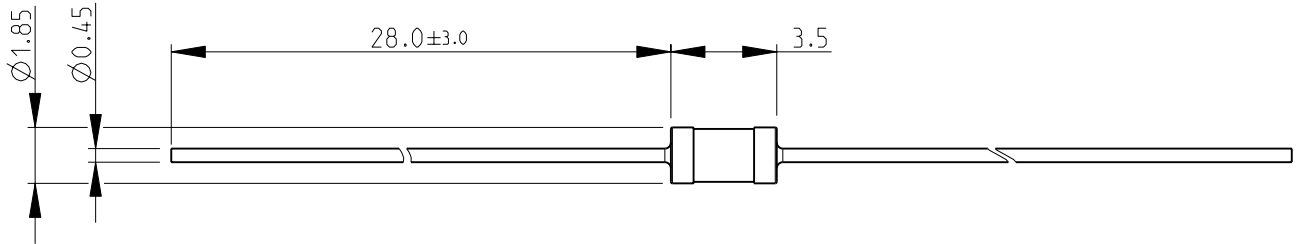
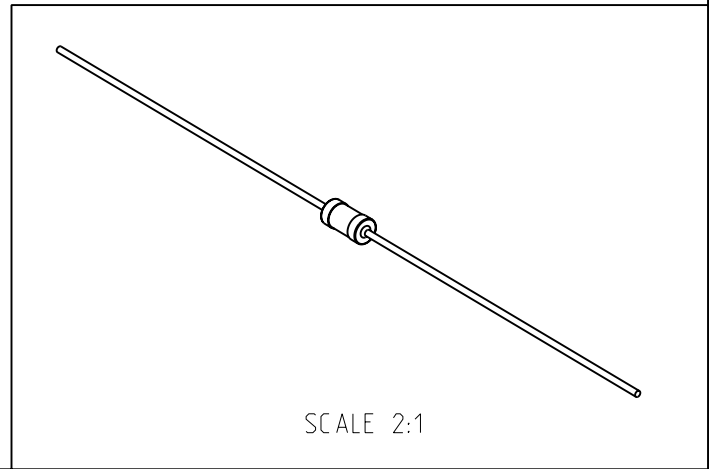


LOC	DIST	REVISIONS					
E	B	P	LTR	DESCRIPTION	DATE	DWN	APVD
			BA	NEW RELEASE	20-Sep-08	SM	St.P

FOR FURTHER INFORMATION SEE DATA SHEET FOR
CFR SERIES-CARBON FILM FIXED RESISTORS



RoHS Compliant



SCALE 2:1

2008

RELEASED FOR PUBLICATION

THIS DRAWING IS UNPUBLISHED.

BY TYCO ELECTRONICS CORPORATION. ALL RIGHTS RESERVED.

© COPYRIGHT 2008

DIMENSIONS: mm		DWN SUBHASH.M 20-Sep-08	MATERIAL	FINISH
TOLERANCES UNLESS OTHERWISE SPECIFIED:		CHK PRAKASH.S 20-Sep-08	Tyco Electronics Corporation Dorcan, Swindon, SN3 5HH	
0 PLC ± 0.2		APVD STEPHEN.P 20-Sep-08	NAME CARBON FILM FIXED RESISTORS SERIES CFR16	
1 PLC ± 0.1		PRODUCT SPEC	SIZE	CAGE CODE
2 PLC $\pm -$		APPLICATION SPEC	A 4	00779
3 PLC $\pm -$			DRAWING NO C-1623927	
4 PLC $\pm -$			RESTRICTED TO	
ANGLES $\pm 5^\circ$		WEIGHT	-	
		CUSTOMER DRAWING		
		SCALE	4:1	SHEET 1 OF 1
				REV BA